

INSTALLATION GUIDE

NI PXI-1052 Front Rack Mount Kit

To mount the NI PXI-1052 in an instrument rack, complete the following steps.

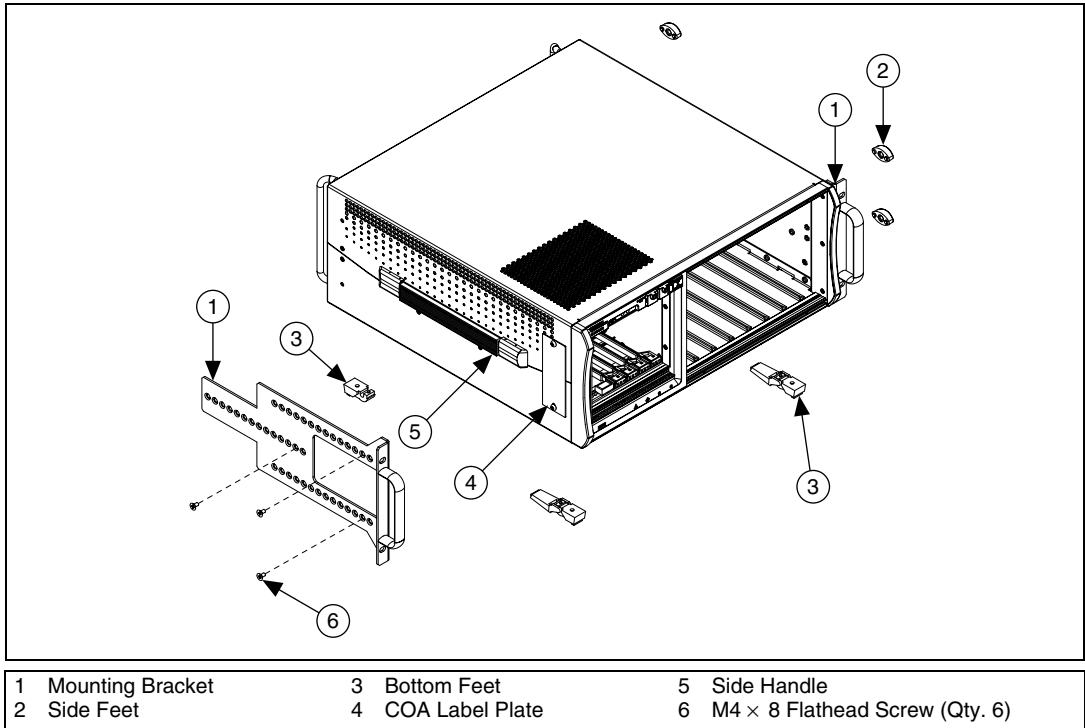


Figure 1. NI PXI-1052 in Rack Mount Configuration

1. Remove the side feet, bottom feet, side handle, and COA label plate as required from the NI PXI-1052 chassis.
2. Install the mounting brackets onto each side of the chassis using the M4 × 8 flathead screws supplied. Notice that you can recess the chassis in the cabinet rack at .5 in. increments.
3. Install the chassis in the instrument rack using four screws (not supplied).

National Instruments™, NI™, and ni.com™ are trademarks of National Instruments Corporation. Product and company names mentioned herein are trademarks or trade names of their respective companies. For patents covering National Instruments products, refer to the appropriate location: **Help» Patents** in your software, the `patents.txt` file on your CD, or ni.com/patents.

© 2004 National Instruments Corp. All rights reserved.



371036A-01

Apr04